



COMPANY Introduction

FOREWORD

- Our company was established on 04.07.2011 and has just started its manufacturing life.
- The target markets & customers;
Automotive, Tractor, Construction Machineries,
Trucks, and Bus manufacturers

Our quality policy is;

- > Producing the products;
 - * To exceed the desired Quality expectations,
 - * In the estimated time,
 - * In the most economical way,

- > To produce, deliver and ensure that «**HANAYLIOĞLU**» brand is recognized as a reliable brand in the world market.

- > We know that “**Quality is Our Future!**“

Our Production Locations & Equipments

- We have 2 production locations;
 1. Headquarters, 1.150 sqm, in Yazibasi-Izmir.
 2. Facility has 600 sqm, in Kisikkoy-Izmir.
- Our manufacturing machinery park consist of;
 - >11 gas shield welding machines,
 - > 7 synergic gas shield welding machines,
 - > 1 gas shield welding machine for Aluminium weld,
 - > 2 argon welding machines,
 - > 1 submerged arc welding machine,
 - > 2 circular saw units,
 - > 1 hydraulic cutting unit,
 - > 2 eccentric press, and 2 hydraulic press,
 - > 1 CNC hydraulic bending machine.

- We perform general metal cutting, bending and welding processes in our facilities and we meet other processes that our designs and productions need from our suppliers (paint, coating, laser, punch, bohrwerk etc.)
- Although we are a new company, our investments continue rapidly.
- Our investment for a «2000x4000, 6 kW Laser cutting unit» will be realized in 2020.
- We have the ability to deliver all the needs of our customers in the sectors we designate with our partner suppliers as finished products.

Our Production Facilities

1. Headquarters (YAZIBASI-IZMIR)









Our Production Facilities

1. (KISIKKOY-IZMIR)



Submerged
Arc Welding
Machine
(1200 Ampere)



We have ability
to handle and
produce
big and heavy
parts at our both
production
facilities...



HANAYLIOĞLU

METAL İŞLERİ MAKİNE OTOMOTİV SAN. TİC. LTD. ŞTİ.





CNC Bending Machine



HANAYLIOĞLU

METAL İŞLERİ MAKİNE OTOMOTİV SAN. TİC. LTD. ŞTİ.



CNC Cutting Machine



Hydraulic Press



Some samples for
jigs and fixtures of
our customers products...



Shipping area and stock shelves...

HANAYLIOĞLU

METAL İŞLERİ MAKİNE OTOMOTİV SAN. TİC. LTD. ŞTİ.



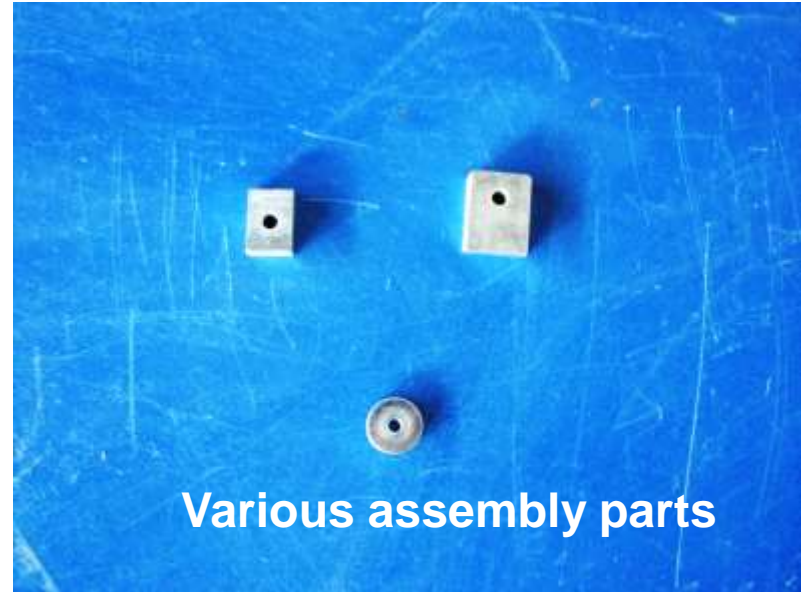


Samples of our productions

- Depending on the companies we work with, our product range is constantly changing, but you can find samples of the parts of the sectors we manufacture.
- Production of all kinds of tractors, construction equipment, trucks, buses and agricultural machinery parts and agricultural machinery, construction machinery...



Headlight brackets



Various assembly parts



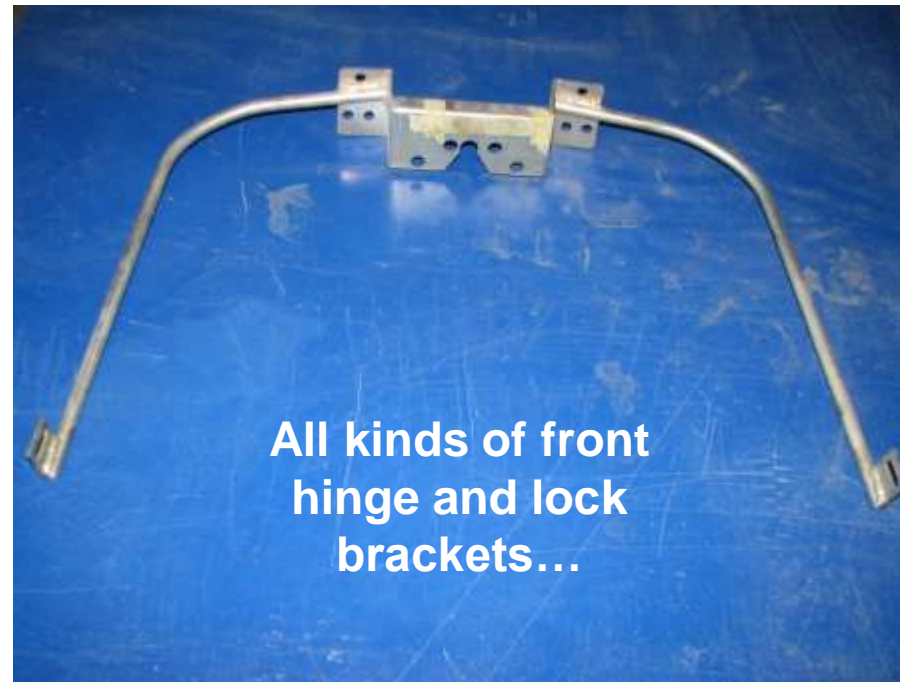
**Assembly
brackets for
rear frame**



**Fixing parts for
rear covers**



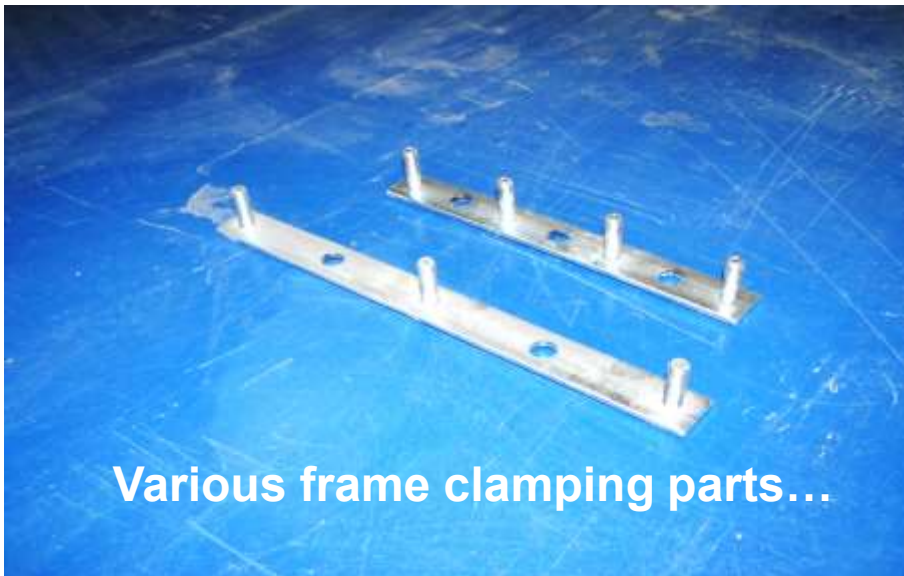
All kinds of inner
frame brackets...



All kinds of front
hinge and lock
brackets...



All kinds of lock assembly brackets...



Various frame clamping parts...



Various types of
assembly brackets...



Headlight brackets...



Front lock bracket



ENGINE HOOD INNER
REINFORCEMENT BRACKETS



FRONT HINGE
BRACKET



ENGINE HOOD
CARRIER FRAME



FUEL TANK LOWER PART



LADDER STEP

BATTERY BOX



CARRIER
FRAME



We also have the opportunity, capability and equipment to make production of backhoe-loader buckets for any brand.





Some of our products;
Extending Booms, Arms for
Backhoe-Loaders...

HANAYLIOĞLU

METAL İŞLERİ MAKİNE OTOMOTİV SAN. TİC. LTD. ŞTİ.



Some frame
weldments of
stone crushers
and construction
machineries...



We can weld materials
of any thickness, size
and weight in our
workshops.



HANAYLIOĞLU

METAL İŞLERİ MAKİNE OTOMOTİV SAN. TİC. LTD. ŞTİ.



Some of finished parts
that we produced for
our customers from
construction machinery
sector...





Some of machined parts that we produced for our customers from construction machinery sector...





Main frame and
components of
Fire Fighting Vehicles
that we produce...

HANAYLIOĞLU

METAL İŞLERİ MAKİNE OTOMOTİV SAN. TİC. LTD. ŞTİ.



Painted – Catophorease
coated or un-painted
or assembled parts...

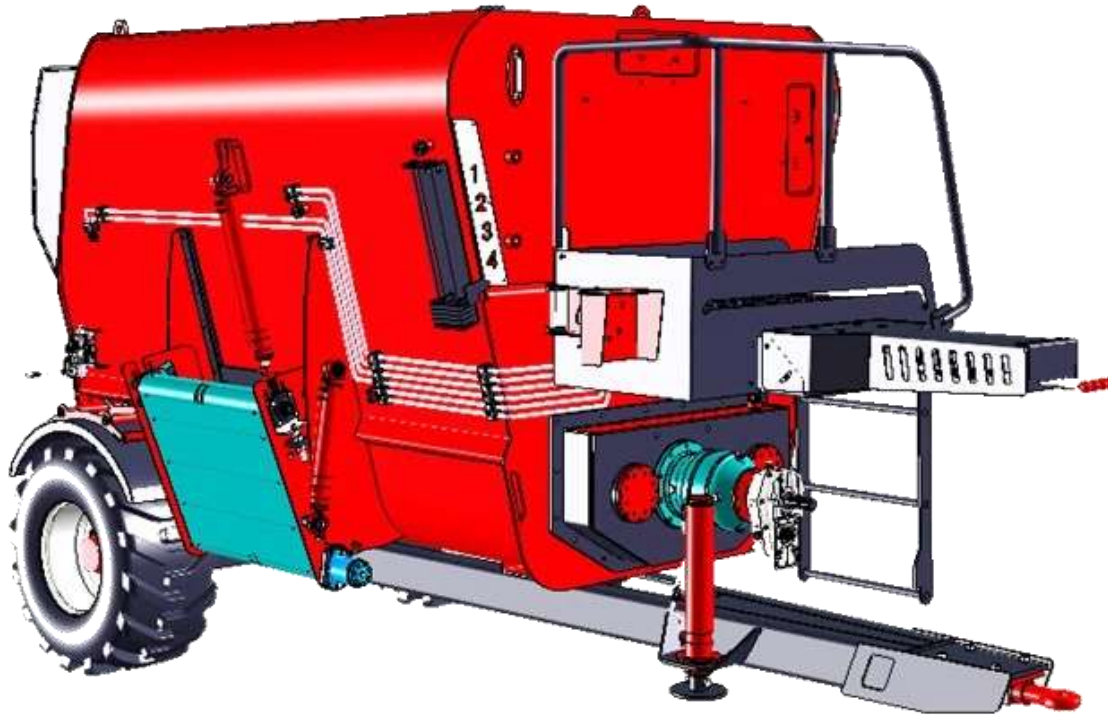


In addition, we can produce «Portable Loaders» and «Attachment» for every brand and models of tractors.



We have jig and fixtures for them and we are able to adapt according to your projects and orders...

Our studies on agricultural machinery sector are continued and we have ready to lunch new projects for «Animal feeding mixers» as agricultural machineries.



We will present them to our customers kind interests in a short time...

We serve our customers with a wide range of products.

Apart from our own products;



> POLKİMA A.S.

: 750 types



> MECALAC

: 55 types



> BASAK TRACTOR

: 256 types



> ÇUKUROVA

: 30 types



> MASTAS

: 40 types



> SWITCH BOWLING

: 25 types

we provide ~1.156 types of products.

Quality Management System

- Studies on quality management systems are going on with continuously improvement in mind. Firstly, we had completed the studies on ISO9001:2015 and we got the certification at the end of April 2015.
- As next steps, the next certifications related with our sectors, will be completed rapidly...

Quality control processes are applied for all parts in our company.

- > Incoming goods quality controls,
- > The first part approval quality controls,
- > Process quality controls,
- > Final quality controls,

are performed...

Also, some «poke-yoke» and «jigs/fixtures» are used for product controls...

Some final controls in accordance with the customer requests are performed and be reported.

Then, the parts are packaged as customer defined and delivered...



We ensure that
the all data for
machining
requested by our
customers have
been performed
and been
controlled by our
suppliers...



In addition to that,
«3D CMM» scan and control reports
can be supplied by our experienced
and approved supplier, when our
customers were requested...



We also have a technical infrastructure to evaluate the technical data from our customers.

We can easily work with our customers in all sizes with «Catia», «Solid» and «Autocad» drawing programs.

The companies who use the parts that we produce;



Our products are used
by the world's leading companies in Turkey
with the products of one of
our main customers' (POLKIMA A.S.).



The companies who use the parts that we produce;

 **BASAK**



The companies
that we are
direct supplier
of them...



CUKUROVA | Daha Uzaklara...
Makine Kiralama ve Ticaret A.Ş.

 **SWITCH®**



“Quality is Our Future”

We are going to be your
solution partner, always...

We will be here,
if you will be too...



Addresses;



Headquarters & Facility ;

YAZIBASI MAH. 9234 SOK. NO:1
YAZIBASI, TORBALI – IZMIR / TURKEY



2nd Facility ;

KISIK AGAC ISLERI SANAYI SITESI
SAIM CIKRIKCI CADDESİ NO: 125
KISIKKOY, MENDERES – IZMIR / TURKEY



Mobile : +90 533 563 99 55

www.hanaylioglu.com

m.hanaylioglu@hanaylioglu.com